

FERMACAVI E FERMATUBI

WIRE - PIPE CLIPS

INSERIMENTO LATERALE | *Lateral insertion*

INSERIMENTO DALL'ALTO | *Upper insertion*

CHIUSURA TOTALE | *With complete closure*

CLIP STRINGITUBO | *Clip hose clamp*

TIPO "OMEGA" | *"OMEGA" Type*

ADESIVI | *Self adhesive*

PER CAVI PIATTI | *For flat cables*

PER BORDO LAMIERA | *Panel edge fixing*

CON FISSAGGIO A VITE | *With screw fixing*

MODULARI | *Modular*

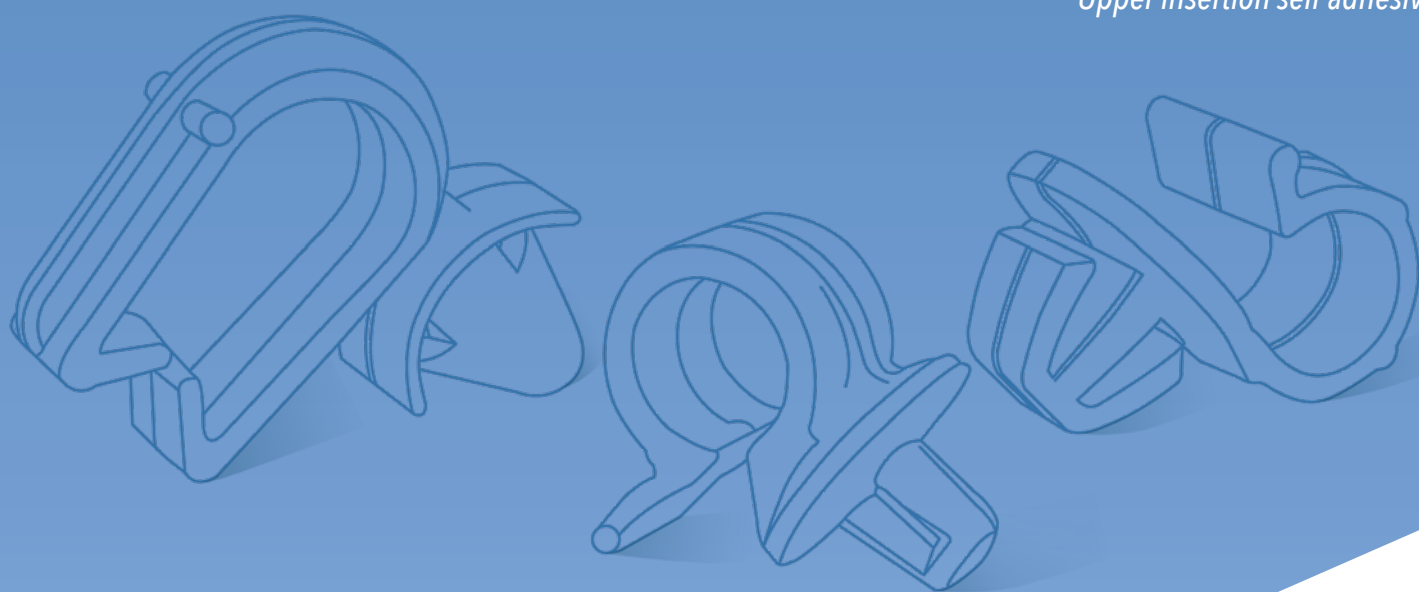
LACCI | *Wire ties*

LACCI CON AGGANCIO | *Wire ties with anchor*

INSERIMENTO DALL'ALTO | *Upper insertion*

INSERIMENTO DALL'ALTO ADESIVI

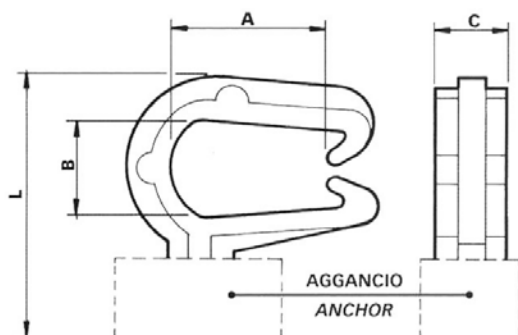
Upper insertion self adhesive



INSERIMENTO LATERALE | Lateral insertion

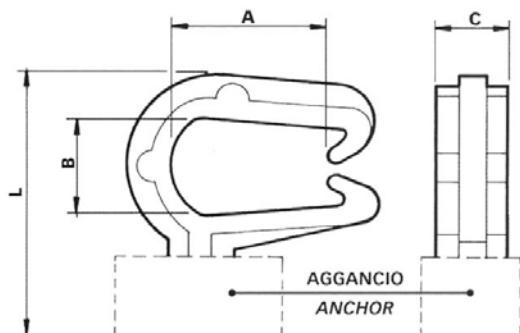
MATERIALE | MATERIAL: Nylon 66 | PA 66

COLORI STANDARD | STANDARD COLOURS: Naturale - Nero | Natural - Black



P/N	DIMENSIONI Sizes				PANNELLO Panel		AGGANCIO Anchor
	A	B	C	L	FORO Hole	SPESSORE Thickness	
00600.65.10	16,0	10,5	6,5	26,0	Ø 5,0	0,6 ÷ 1,7	
00174.65.11	9,0	7,5	6,3	23,5	Ø 6,5	0,5 ÷ 1,5	
00830.44.10	-	Ø 14,5	10,0	31,0	Ø 6,5	0,8 ÷ 2,0	
00329.65.11	16,0	10,5	7,5	29,5	Ø 6,5	0,8 ÷ 2,0	
06681.65.11	-	Ø 9,0	12,0	22,0	8,0 x 8,0	1,5	
05448.21.10	9,2	5,8	5,0	20,6	Ø 6,5	0,6 ÷ 2,0	
00301.03.10	-	Ø 4,8	9,0	16,0	Ø 6,5	1,0 ÷ 1,5	
00377.71.10	-	Ø 7,0	9,0	20,0	Ø 6,5	0,7 ÷ 1,2	
02796.65.10	-	Ø 11,0	9,0	24,0	Ø 6,5	1,5 ÷ 2,0	
04700.21.11	15,5	10,0	7,8	32,5	Ø 6,5	0,8 ÷ 6,0	
01194.94.11U	-	Ø 10,0	7,0	26,5	Ø 6,5	2,5 ÷ 7,5	

INSERIMENTO LATERALE | Lateral insertion

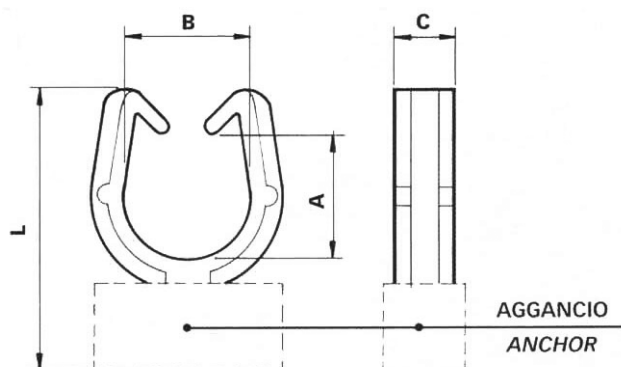
MATERIALE | MATERIAL: Nylon 66 | PA 66**COLORI STANDARD** | STANDARD COLOURS: Naturale - Nero | Natural - Black

P/N	DIMENSIONI Sizes				PANNELLO Panel		AGGANCIAMENTO Anchor
	A	B	C	L	FORO Hole	SPESSORE Thickness	
00472.71.10	-	Ø 5,8	9,0	13,0	12,5 x 5,5	0,7 ÷ 1,2	
00025.91.10	-	Ø 11,0	9,0	19,5	12,5 x 5,5	0,7 ÷ 1,2	
01209.94.17U	-	Ø 11,0	9,0	24,0	15,5 x 6,5	0,7 ÷ 1,2	

INSERIMENTO DALL'ALTO | Upper insertion

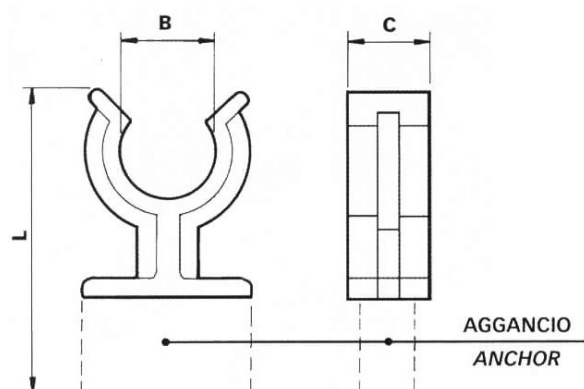
MATERIALE | MATERIAL: Nylon 66 | PA 66



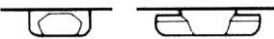
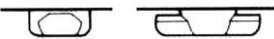
COLORI STANDARD | STANDARD COLOURS: Naturale - Nero | Natural - Black



P/N	DIMENSIONI Sizes				PANNELLO Panel		AGGANCIAMENTO Anchor
	A	B	C	L	FORO Hole	SPESSORE Thickness	
00318.70.11U	-	Ø 15,0	8,0	35,0	Ø 6,5	0,8 ÷ 2,0	
00010.91.10	-	Ø 10,0	5,5	23,5	Ø 4,8 ÷ 5,0	0,6 ÷ 1,5	
05544.21.10	20,8	17,0	8,0	40,1	Ø 6,5	0,6 ÷ 2,0	
02282.79.10	22,0	23,0	8,0	39,0	Ø 6,5	0,8 ÷ 1,5	
01564.19.10	10,0	9,0	6,0	25,3	Ø 7,0	0,5 ÷ 2,5	
06137.94.11	-	Ø 10,0	14,0	28,5	Ø 8,0	1,0 ÷ 2,0	
00551.65.11	-	Ø 12,0	12,0	24,5	Ø 6,5	0,7 ÷ 2,0	

INSERIMENTO DALL'ALTO | Upper insertion

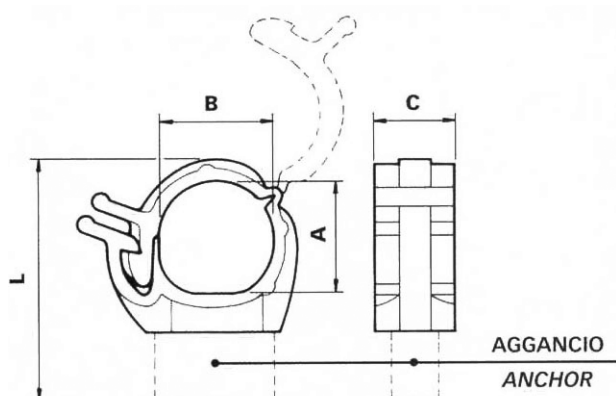
MATERIALE | MATERIAL: Nylon 66 | PA 66**COLORI STANDARD** | STANDARD COLOURS: Naturale - Nero | Natural - Black

P/N	DIMENSIONI Sizes				PANNELLO Panel		AGGANCIO Anchor
	A	B	C	L	FORO Hole	SPESSORE Thickness	
03421.94.10U	-	Ø 6,0	10,0	19,5	Ø 6,5	0,7 ÷ 1,5	
05867.02.11	-	Ø 5,0	9,5	19,2	∅ 7,0	0,7 ÷ 1,5	
00046.91.11	-	Ø 9,2	10,0	16,0	11,0 x 5,5	0,7 ÷ 0,8	
01416.71.11	-	Ø 8,0	15,0	19,0	12,5 x 5,5	1,5	

CHIUSURA TOTALE | With complete closure

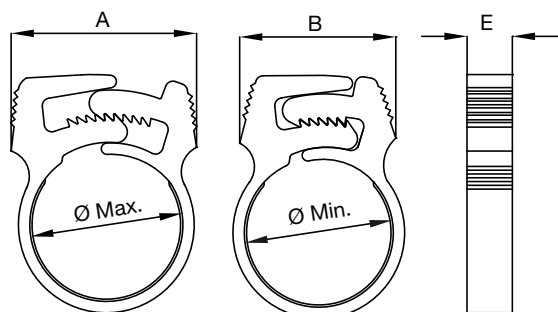
MATERIALE | MATERIAL: Nylon 66 | PA 66

COLORI STANDARD | STANDARD COLOURS: Naturale - Nero | Natural - Black



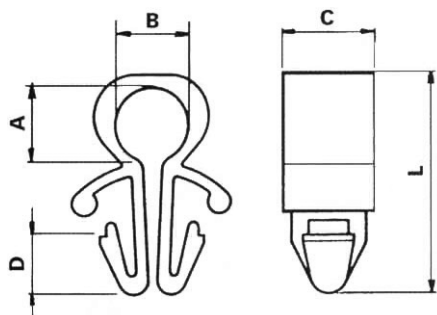
P/N	DIMENSIONI Sizes				PANNELLO Panel		AGGANCIAMENTO Anchor
	A	B	C	L	FORO Hole	SPESSORE Thickness	
06281.05.11	10,0	10,0	10,0	26,0	Ø 6,5	0,7 ÷ 1,2	
04787.94.11	13,0	13,0	12,0	33,0	Ø 6,5	0,7 ÷ 2,0	
01852.02.10	15,0	15,0	10,0	29,0	Ø 6,5	0,7 ÷ 2,0	
01853.71.11	20,0	20,0	12,0	33,0	Ø 6,5	0,7 ÷ 1,5	
06235.05.11	23,0	23,0	12,0	38,0	Ø 6,5	0,7 ÷ 2,0	
06827.94.11	28,0	28,0	15,0	47,0	Ø 6,5	0,7 ÷ 1,5	
06986.05.11	5,0	5,0	12,0	22,5	Ø 8,0	0,7 ÷ 1,5	
02654.02.11	15,0	15,0	10,0	29,0	Ø 8,0	0,7 ÷ 2,0	
06282.44.11	16,0	16,0	12,0	31,0	Ø 8,0	1,0 ÷ 2,0	
08173.71.11	18,0	18,0	10,0	32,0	Ø 8,0	0,7 ÷ 2,0	
02455.94.11	20,0	20,0	12,0	34,0	Ø 8,0	0,7 ÷ 2,0	
01856.65.11	15,0	27,0	13,0	30,0	Ø 8,0	0,7 ÷ 2,0	
01858.02.11	20,0	35,0	14,0	34,0	Ø 8,0	0,7 ÷ 2,0	
01862.02.11	28,0	45,0	15,0	41,0	Ø 8,0	0,7 ÷ 2,0	
04913.05.17	28,0	55,0	15,0	42,0	Ø 8,0	0,7 ÷ 2,0	
04436.94.11	15,0	15,0	10,0	33,0	Ø 8,0	5,0	
06755.94.11	23,0	23,0	15,0	37,0	Ø 9,0	0,7 ÷ 2,0	
05576.44.11	15,0	15,0	12,0	30,0	8,0 x 8,0	0,7 ÷ 2,0	
05735.05.11	10,0	10,0	12,0	29,0	8,0 x 9,0	0,7 ÷ 2,5	
04911.94.11	10,0	10,0	12,0	22,0	15,5 x 6,5	0,7 ÷ 1,2	
00008.94.10	20,0	20,0	5,5	39,5	Ø 4,8 ÷ 5,0	0,8 ÷ 2,0	
02285.91.11	15,0	14,0 ÷ 18,0	11,0	34,0	Ø 6,5	0,6 ÷ 1,5	
05722.65.11	10,0	10,0	12,0	27,0	Ø 8,0	0,7 ÷ 1,5	
04536.94.11	13,2	13,2	12,0	28,6	Ø 8,0	2,0	

CLIP STRINGITUBO | Clip hose clamp

MATERIALE | MATERIAL: Nylon 66 - Acetalica | PA 66 - POM**COLORI STANDARD** | STANDARD COLOURS: Naturale - Nero | Natural - Black**UL FLAMMABILITY** | UL FLAMMABILITY: UL94 HB

P/N	DIMENSIONI Sizes				
	A	B	Ø Min	Ø Max	E
06870.21.40	28,0	21,9	11,1	13,4	5,9
06276.21.40	23,4	19,7	11,0	12,7	5,6
06627.21.41	26,2	21,9	15,0	15,8	6,0
06871.21.40	29,8	24,2	18,5	21,1	5,9
06872.21.40	33,4	26,7	19,4	22,8	6,0
06873.21.40	35,0	27,7	21,8	24,9	5,9
06874.21.40	37,8	29,6	25,0	28,7	7,4
06875.21.40	40,6	29,5	28,3	32,5	7,3
06876.21.40	48,6	34,3	38,5	40,0	7,4
01361.94.10	24,5	21,3	18,7	20,0	6,0
00092.94.10	24,0	20,2	16,5	18,1	6,0
10288.94.40	27,8	21,8	10,7	12,8	5,9
10020.94.41	12,2	17,6	9,3	10,5	5,9

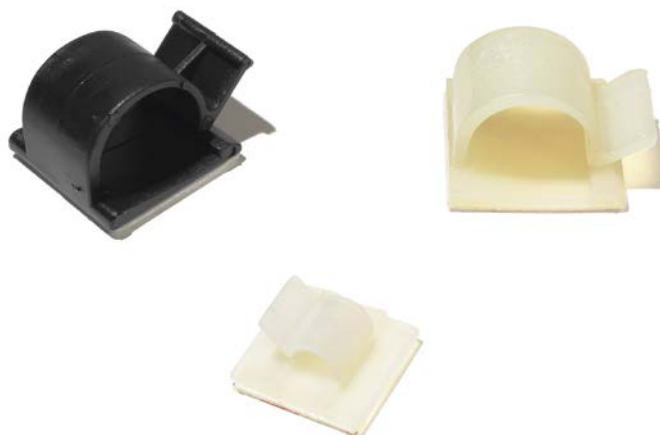
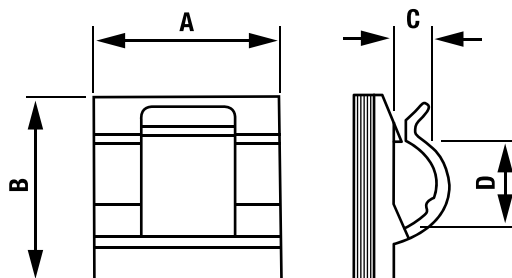
TIPO "OMEGA" | "OMEGA" Type

MATERIALE | MATERIAL: Nylon 66 | PA 66**COLORI STANDARD** | STANDARD COLOURS: Naturale - Nero | Natural - Black

P/N	DIMENSIONI Sizes					PANNELLO Panel	
	A	B	C	D	L	FORO Hole	SPESSORE Thickness
01365.91.10	12,0	16,0	8,0	6,0	27,0	Ø 6,0	0,5 ÷ 2,0
00048.91.10	5,0	8,5	8,0	5,0	13,0	Ø 6,5	1,0 ÷ 3,0
00061.91.11	6,8	6,8	8,0	5,0	17,5	Ø 6,5	1,0 ÷ 2,5
00679.91.11	6,6	6,6	7,8	5,0	19,0	Ø 6,5	2,5 ÷ 4,0
00299.21.10	6,8	6,8	8,0	5,0	18,0	Ø 6,5	0,5 ÷ 3,0

MATERIALE | **MATERIAL:** Nylon 66 - Adesivo base gomma - Acrilico | **PA 66 - Adhesive rubber base - Acrylic base**

COLORI STANDARD | **STANDARD COLOURS:** Naturale - Nero | *Natural - Black*



P/N	DIMENSIONI Sizes				Ø MAX DI CAVI Max cable Ø
	A	B	C	D	
05430.07.10R	19,0	19,0	5,0	4,9	5,0
A2692.94.10	25,0	25,0	8,5	11,5	8,0
05432.07.10B	26,0	26,0	8,0	12,0	8,0
A2560.96.11	22,0	22,0	10,0	18,0	11,0
A1086.96.10	25,0	25,0	14,5	18,0	16,0
A0019.96.10	25,0	25,0	14,5	18,0	16,0
03801.71.11	30,0	16,0	5,0	10,0	2 x 5,0

PER CAVI PIATTI | For flat cables

MATERIALE | MATERIAL: Nylon 66 | PA 66

COLORI STANDARD | STANDARD COLOURS: Naturale | Natural

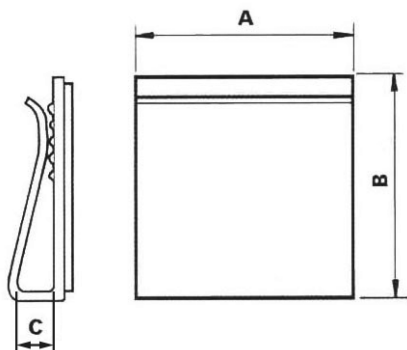


P/N	DIMENSIONI Sizes					TIPO DI FISSAGGIO Anchorage	TIPO Type
	A	B	C	D	L		
A1684.96.10	16,0	16,0	7,0	10,0	-	ADESIVO Adhesive	
01686.94.10	16,0	44,0	8,0	12,0	33,5	VITE Screw	
A1686.96.10	16,0	44,0	8,0	13,0	33,5	ADESIVO Adhesive	
01688.94.10	16,0	62,0	8,0	12,0	51,5	VITE Screw	
A1688.96.10	16,0	62,0	8,0	13,0	51,5	ADESIVO Adhesive	

PER CAVI PIATTI | For flat cables

MATERIALE | MATERIAL: PVC

COLORI STANDARD | STANDARD COLOURS: Grigio - Bianco | Grey - White



P/N	DIMENSIONI Sizes					TIPO DI FISSAGGIO Anchorage
	A	B	C	D	L	
00020.21.57	20,0	26,0	6	-	-	ADESIVO Adhesive
00025.21.57	25,0	26,0	6	-	-	ADESIVO Adhesive
00030.21.52	30,0	26,0	6	-	-	ADESIVO Adhesive

PER BORDO LAMIERA | Panel edge fixing

MATERIALE | MATERIAL: Nylon 66 | PA 66

COLORI STANDARD | STANDARD COLOURS: Naturale - Nero | Natural - Black



P/N	DIMENSIONI Sizes					SPESSORE Thickness	TIPO Type
	A	B	L	D	I		
A2460.96.11	22,0	Ø 8,5	21,0	15,0	8,0	0,7 ÷ 2,5	<p>MOLLETTA METALLICA METAL CLIP</p>
00512.65.11	12,2	Ø 10,0	19,3	15,5	8,0	0,8 ÷ 1,5	
07118.71.11	15,0	Ø 10,0	21,0	15,0	8,5	1,0 ÷ 2,5	<p>MOLLETTA METALLICA METAL CLIP</p>
03868.71.11	15,0	Ø 13,0	25,3	24,6	11,0	0,7 ÷ 2,5	
04547.05.11	15,0	Ø 17,0	30,0	28,5	13,0	1,0 ÷ 2,5	<p>MOLLETTA METALLICA METAL CLIP</p>
03646.71.11	16,0	Ø 23,0	38,2	43,0	15,0	1,0 ÷ 2,5	
A8406.96.11	18,0	15 x 26	37,5	43,3	12,0	0,7 ÷ 2,5	<p>MOLLETTA METALLICA METAL CLIP</p>
A7228.96.11	10,8	Ø 10÷15		11,1	9,8	0,7 ÷ 2,0	

CON FISSAGGIO A VITE | With screw fixing

MATERIALE | MATERIAL: Nylon 66 | PA 66

COLORI STANDARD | STANDARD COLOURS: Naturale - Nero | Natural - Black

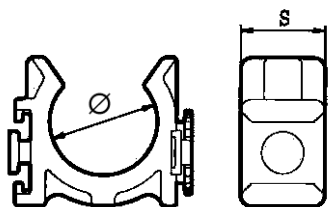


P/N	DIMENSIONI Sizes								TIPO Type
	Ø	A	B	C	D	E	F	S	
00225.94.10U	7,5	13,0	7,0	4,3	3,0	14,0	6,0	10,0	
00678.70.10U	14,5	24,0	-	5,0	1,8	20,0	7,5	12,0	
04970.05.11A	10,0	35,0	7,5	6,5	2,5	7,5	20,0	16,0	+ Boccola metallica Metal grommet
03405.65.11B	14,0	39,0	11,0	5,0	2,5	9,0	19,0	16,0	
04824.65.11	20,0	49,5	13,0	6,0	3,0	8,0	22,0	16,0	
03001.94.10	23,0	46,0	14,5	5,5	3,0	7,5	26,0	16,0	
03001.94.11A	23,0	46,0	14,5	6,5	3,0	7,5	26,0	16,0	
05529.05.11A	33,0	51,0	16,5	6,5	4,0	7,5	28,0	16,0	

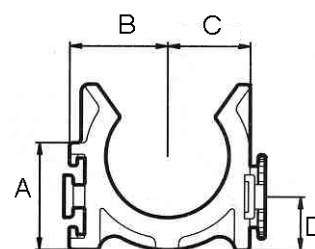
MODULARI | Modular

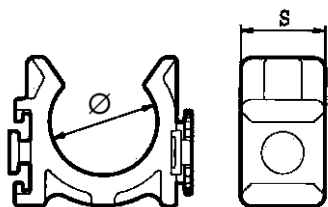
MATERIALE | MATERIAL: Nylon 66 | PA 66

COLORI STANDARD | STANDARD COLOURS: Nero | Black

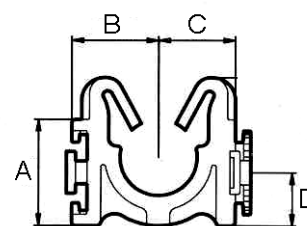


P/N	DIMENSIONI Sizes						TIPO Type
	Ø	S	A	B	C	D	
03828.65.11	6,0	11,0	14,0	7,0	5,0	7,0	
03826.65.11	8,0	11,0	14,0	8,0	6,0	7,0	
03861.44.11	10,0	11,0	14,0	9,0	7,0	7,0	
03860.65.11	12,0	11,0	14,0	9,7	7,8	7,0	
03943.65.11	14,0	11,0	14,0	11,5	9,5	7,0	
03945.94.11	18,0	11,0	14,0	14,0	12,0	7,0	
03946.65.11	20,0	11,0	14,0	15,3	13,2	7,0	
04441.94.11	22,0	11,0	14,0	16,3	14,3	7,0	
06455.03.11	27,0	11,0	14,0	19,0	17,0	7,0	

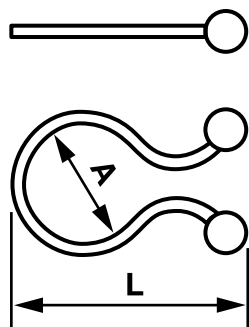


MODULARI | *Modular***MATERIALE** | *MATERIAL:* Nylon 66 | PA 66**COLORI STANDARD** | *STANDARD COLOURS:* Nero | Black

P/N	DIMENSIONI <i>Sizes</i>						TIPO <i>Type</i>
	Ø	S	A	B	C	D	
03919.65.11	5,0	11,0	14,0	7,5	5,5	7,0	
03920.05.11	6,3	11,0	14,0	9,0	7,0	7,0	
03947.05.11	8,0	11,0	14,0	10,5	8,5	7,0	
05554.65.11	10,0	11,0	14,0	11,3	10,0	7,0	
06071.05.11	12,0	11,0	14,0	11,5	11,5	7,0	
06072.65.11	16,0	11,0	14,0	14,0	14,0	7,0	



STANDARD | Standard

MATERIALE | MATERIAL: Nylon 66 | PA 66**COLORI STANDARD** | STANDARD COLOURS: Naturale - Nero - Bianco | Natural - Black - White

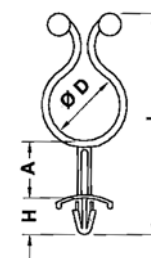
P/N	DIMENSIONI Sizes	
	MAX Ø A	L
00055.95.10	8,5	25,0
00056.95.10	12,5	30,0
08343.21.11	13,5 ÷ 16,0	35,0
08344.21.12	17,0 ÷ 20,0	40,0
06173.21.10	25,8	41,4
06174.21.10	29,0	55,5
00058.91.10	35,0	56,0

LACCI CON AGGANCIAMENTO | Wire ties with anchor

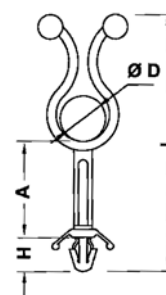
MATERIALE | MATERIAL: Nylon 66 | PA 66**COLORI STANDARD** | STANDARD COLOURS: Naturale | Natural**AUTOESTINGUENZA** | UL FLAMMABILITY: V2 - UL 94

P/N	DIMENSIONI Sizes				PANNELLO Panel		TIPO Type
	A	D (Chiuso Closed)	H	L	Ø FORO Hole	SPESSORE Thickness	
06274.21.10	4,8	5,4	8,0	32,5	4,8	0,8 - 2,0	
06540.21.10	3,1	6,1	10,6	33,8	4,8 - 5,0	0,8 - 3,0	
06541.21.10	20,0	6,1	10,6	51,0	4,8 - 5,0	0,8 - 3,0	
06542.21.10	35,3	6,1	10,6	66,0	4,8 - 5,0	0,8 - 3,0	
06551.21.10	10,5	6,8	10,6	43,8	5,0	1,2 - 2,8	
06552.21.10	5,6	7,0	10,0	34,7	4,8 - 5,0	0,8 - 2,0	
06549.21.10	15,8	9,7	10,6	53,1	4,8 - 5,0	0,8 - 3,0	
06543.21.10	2,8	9,8	10,6	39,6	4,8 - 5,0	0,8 - 3,0	
06544.21.10	20,0	9,8	10,6	56,8	4,8 - 5,0	0,8 - 3,0	
06545.21.10	35,2	9,8	10,6	71,5	4,8 - 5,0	0,8 - 3,0	
06546.21.10	3,0	13,8	10,6	42,0	4,8 - 5,0	0,8 - 3,0	
06114.21.10	20,4	13,8	10,6	59,3	4,8 - 5,0	0,8 - 3,0	
06115.21.10	35,8	13,8	10,6	74,7	4,8 - 5,0	0,8 - 3,0	
06547.21.10	16,2	18,4	10,6	63,5	4,8 - 5,0	0,8 - 3,0	
06550.21.10	5,0	18,7	11,8	55,3	4,8 - 5,0	0,8 - 3,0	
06548.21.10	3,0	22,3	9,8	56,8	4,8 - 5,0	0,8 - 2,5	
00052.21.10	12,3	12,5	10,5	54,0	6,5	0,5 - 2,0	
06538.21.10	3,0	7,2	5,5	26,7	4,0	0,8 - 2,2	
06536.21.10	34,0	5,0	7,5	59,8	4,8	0,8 - 2,2	
06539.21.10	43,5	10,1	7,9	78,1	4,8	0,8 - 2,2	
06537.21.10	4,5	10,4	7,5	37,7	4,8	0,8 - 2,2	
06535.21.10	21,0	10,4	7,5	56,5	4,8	0,8 - 2,2	

Tipo 1 - Type 1



Tipo 2 - Type 2



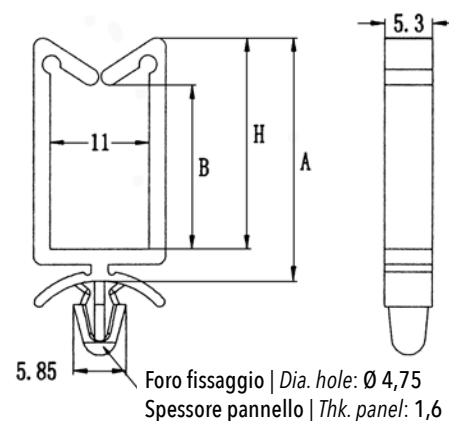
INSERIMENTO DALL'ALTO | Upper insertion

MATERIALE | MATERIAL: Nylon 66 | PA 66

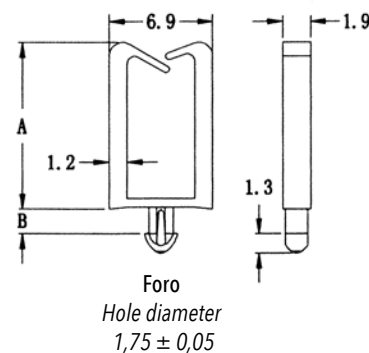
COLORI STANDARD | STANDARD COLOURS: Naturale | Natural



P/N	DIMENSIONI Sizes		
	H	A	B
15003.16.10	23,4	26,9	18,2
15004.16.10	31,3	34,8	26,1
15003.16.V0	23,4	26,9	18,2
15004.16.V0	31,3	34,8	26,1



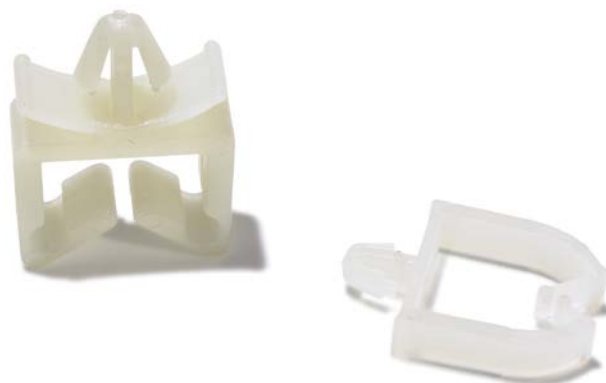
P/N	DIMENSIONI Sizes		Spessore Pannello Panel Thickness
	A	B	
16001.16.V0	5,8	1,7	1,6
16002.16.V0	11,2	1,7	1,6
16003.16.V0	11,2	2,3	2,2
16004.16.V0	5,8	2,45	2,36



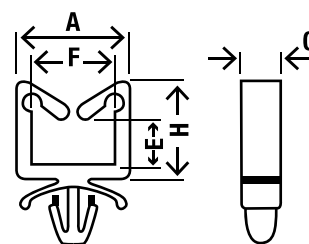
INSERIMENTO DALL'ALTO | Upper insertion

MATERIALE | MATERIAL: Nylon 66 | PA 66

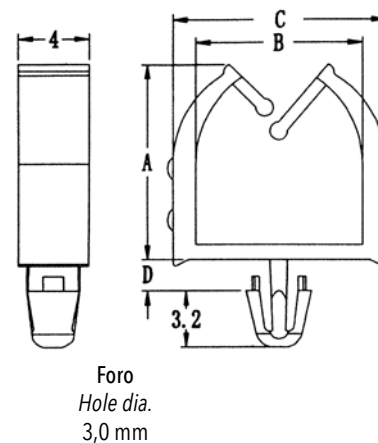
COLORI STANDARD | STANDARD COLOURS: Naturale | Natural



P/N	DIMENSIONI Sizes						
	A	H	C	E	F	Ø FORO Hole	SPESSORE Thickness
06249.21.10	15,0	12,0	5,3	5,0	11,2	4,8	0,8÷2,0
05595.21.10	15,0	17,0	5,3	10,0	11,2	4,8	0,8÷2,0
06250.21.10	15,0	26,0	5,3	19,0	11,2	4,8	0,8÷2,0
06251.21.10	15,0	34,0	5,3	27,0	11,2	4,8	0,8÷2,0



P/N	DIMENSIONI Sizes				Spessore Pannello Panel Thickness
	A	B	C	D	
39001.16.10	7,3	6,1	9,1	1,8	1,6
39002.16.10	9,1	8,2	10,8	1,8	1,6
39003.16.10	11,2	9,4	12,0	1,8	1,6
39004.16.10	13,0	9,4	12,0	1,8	1,6
39005.16.10	7,3	6,7	9,1	2,6	2,4
39006.16.10	9,1	8,2	10,8	2,6	2,4
39007.16.10	11,2	9,4	12,0	2,6	2,4
39008.16.10	13,0	9,4	12,0	2,6	2,4



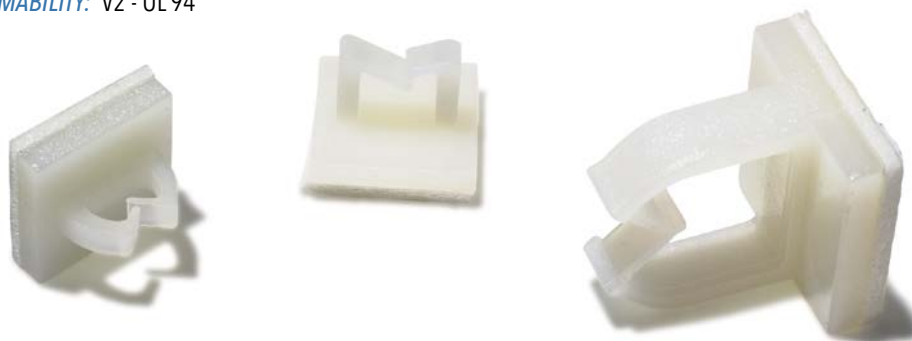
INSERIMENTO DALL'ALTO ADESIVI

Upper insertion self adhesive

MATERIALE | MATERIAL: Nylon 66 | PA 66

COLORI STANDARD | STANDARD COLOURS: Naturale | Natural

AUTOESTINGUENZA | UL FLAMMABILITY: V2 - UL 94



P/N	DIMENSIONI Sizes						
	A	B	C	D	E	F	
06358.21.10	6,9	4,1	9,5	2	4	5,7	<p>Tipo 1 Type 1</p>
06273.21.10	11,9	9,3	12,7	4	11,4	13,7	
06271.21.10	6,9	4,5	9,6	2	-	6,5	<p>Tipo 2 Type 2</p>